

# SR1745

## ROUGH TERRAIN TELEHANDLER



- Full-time 4 wheel drive
- Fully enclosed cab
- Power assisted steering
- Proportional joystick
- Simple to operate & maintain

 **snorkel**  
[www.snorkellifts.com](http://www.snorkellifts.com)

# ROUGH TERRAIN TELEHANDLER

# SR1745

## CAPABILITIES SR1745

Max. lift capacity	4,535kg
Max. lift height (A)	16.4m
Max. forward reach	12.6m

## DIMENSIONS

Overall width (B)	2.3m
Stowed height (C)	2.56m
Length to fork face (D)	6.6m
Wheelbase	2.95m
Ground clearance	350mm

## PERFORMANCE

Max. drive speed	30km/h
Raise/lower time	16/10.8 sec
Frame levelling	11°
Hydraulic flow (per minute)	120L
Hydraulic pressure	230bar
Hydraulic oil capacity	150L
Fuel capacity	120L
Outside turning radius	4.2m
Tyres	445/65 - 22.5"

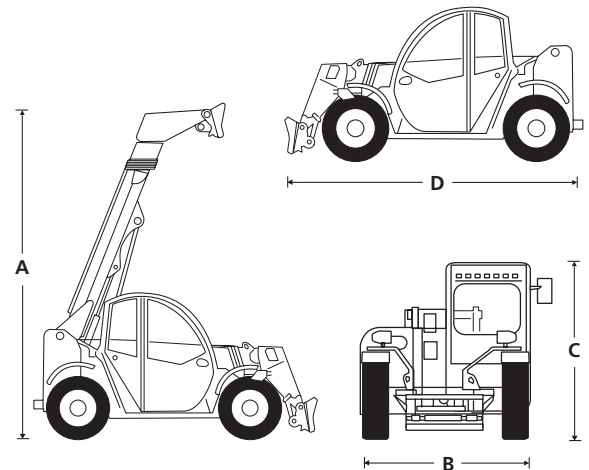
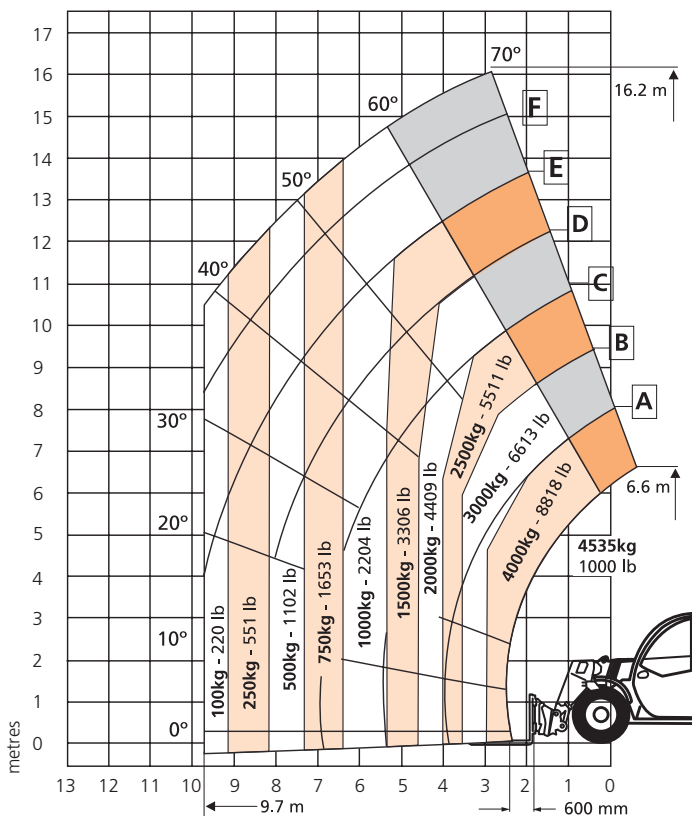
## POWER

Power source	Deutz TCD 3.6L Tier 4 Final 74.4kW
--------------	------------------------------------

## WEIGHT

Weight	12,180kg
--------	----------

## LOAD CHART



## STANDARD FEATURES

- Deutz Tier 4 Final diesel
- Enclosed cab with heat & air conditioning
- Window wipers
- Running lights
- Manual pintle hitch
- Backup alarm
- Boom work lights (2)
- PEB electrical boom socket
- Constant front hydraulic flow
- Heater plug
- B class carriage adapter
- Hydraulic attachment quick disconnects
- 2 year parts & labour, 5 year structural warranty
- CE approved

## OPTIONS

- Front and rear LED work lights

**snorkel** [www.snorkellifts.com](http://www.snorkellifts.com)

Vigo Centre, Birtley Road,  
Washington, Tyne & Wear,  
NE38 9DA, U.K.

t: +44 (0) 845 1550 057  
e: sales.emea@snorkellifts.com