

TL37J

TOWABLE BOOM LIFT



- High specification trailer mounted boom lift
- Excellent working envelope including a jib boom
- Hydraulic outriggers for simple set-up
- Proportional controls for easy operation
- Range of power source options

 **snorkel**
www.snorkellifts.com

TOWABLE BOOM LIFT

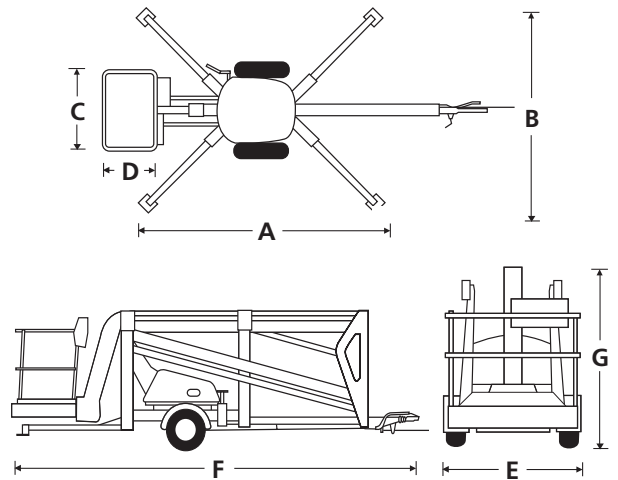
TL37J

DIMENSIONS	TL37J
Max. working height	12.9m
Max. platform height	10.9m
Max. working outreach	5.6m
Platform width (C)	1.12m
Platform depth (D)	0.7m
Outrigger footprint (A x B)	3.9m x 3.3m
Towing width (E)	1.61m
Towing length (F)	6.4m
Stowed height (G)	2.1m

PERFORMANCE	
Platform capacity (SWL)	215kg
Max. wind speed	12.5m/s
Jib length	1.3m
Jib arc	130°
Platform rotation	160°
Turret rotation (non-continuous)	640°
Tyres	185R14C
Controls	hydraulic proportional

POWER	
Power source	24V battery (4 x 6V 225Ah batteries)
Power options	bi-energy (petrol & battery) power or 230V mains

WEIGHT	
Weight (battery model)	1,586kg



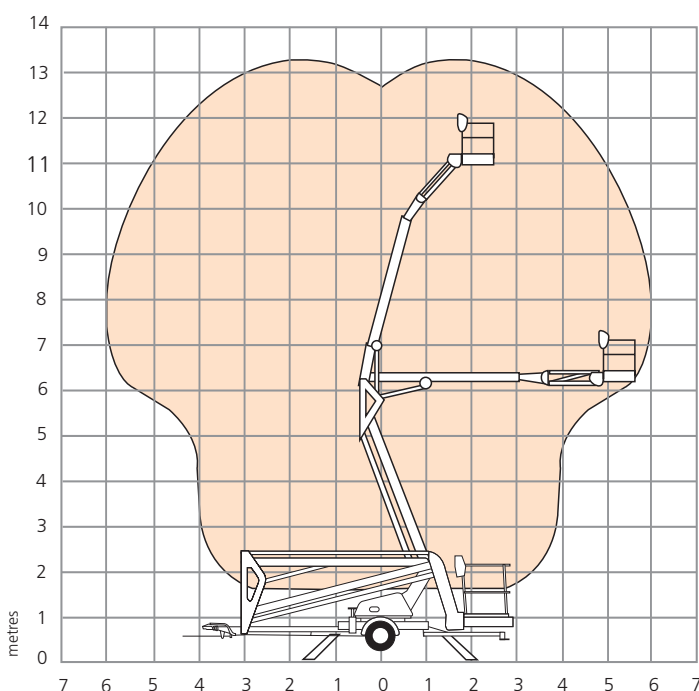
STANDARD FEATURES

- 1.3m jib with 130° working arc
- Hydraulic outriggers
- In-line boom design for maximum rigidity
- Cycle protection guards
- Hand pump emergency lowering from platform
- Power line to platform
- Proportional live hydraulic controls
- Automatic reversing and overrun braking
- Integral road lighting board
- 2 year parts & labour, 5 year structural warranty
- CE approved

OPTIONS

- Special paint colours
- Friction drive assist package
- Flashing amber light
- Work lights in platform
- Nylon spreader pads (set of 4)
- Environmental hydraulic oil

WORKING ENVELOPE



snorkel www.snorkellifts.com

Vigo Centre, Birtley Road,
Washington, Tyne & Wear,
NE38 9DA, U.K.

t: +44 (0) 845 1550 057

e: sales@snorkellifts.com