

# S4726E/S4732E

## ELECTRIC SLAB SCISSOR LIFTS



- Self-propelled electric scissor lifts
- Compact & robust
- Roll-out extension decks for extra reach
- Suitable for indoor and outdoor use
- Ideal for construction & maintenance applications

**snorkel**  
[www.snorkellifts.com](http://www.snorkellifts.com)

# ELECTRIC SLAB SCISSOR LIFTS

# S4726E/S4732E

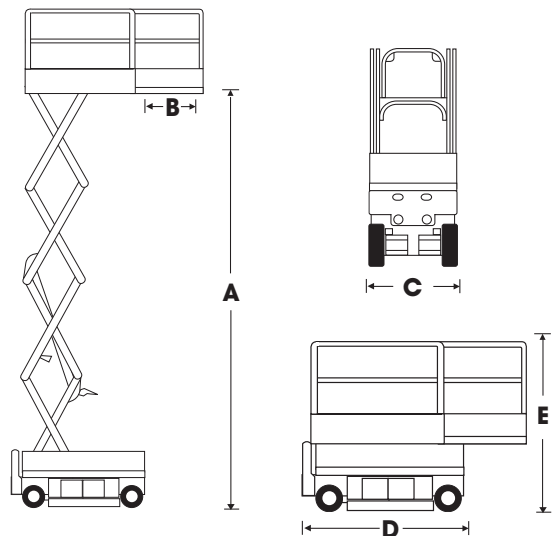
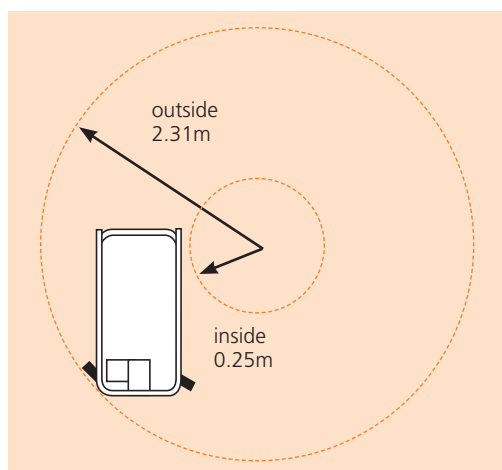
| DIMENSIONS                      | S4726E        | S4732E        |
|---------------------------------|---------------|---------------|
| Max. working height             | 9.9m          | 11.8m         |
| Max. platform height (A)        | 7.9m          | 9.8m          |
| Platform size (stowed)          | 2.14m x 1.05m | 2.14m x 1.05m |
| Platform size (extended)        | 3.4m x 1.05m  | 3.4m x 1.05m  |
| Extension deck length (B)       | 1.21m         | 1.21m         |
| Overall length (with step) (D)  | 2.3m          | 2.3m          |
| Overall length (without step)   | 2.26m         | 2.26m         |
| Overall width (C)               | 1.19m         | 1.19m         |
| Stowed height (E)               | 2.3m          | 2.39m         |
| Min. height (guardrails folded) | 1.85m         | 1.94m         |
| Ground clearance (stowed)       | 76mm          | 76mm          |
| Ground clearance (elevated)     | 19mm          | 19mm          |

| PERFORMANCE                 |                           |           |
|-----------------------------|---------------------------|-----------|
| Platform capacity           | 454kg                     | 349kg     |
| Max. drive height           | 7.9m                      | 9.8m      |
| Max. wind speed             | 12.5m/s                   | 12.5m/s   |
| Max. drive speed (elevated) | 0.6km/h                   | 0.6km/h   |
| Max. drive speed (stowed)   | 3.2km/h                   | 3.2km/h   |
| Raise/lower time            | 40/50 sec                 | 50/60 sec |
| Gradeability                | 25%                       | 25%       |
| Inside turning radius       | 0.25m                     | 0.25m     |
| Outside turning radius      | 2.31m                     | 2.31m     |
| Tyres                       | 15 x 5 non-marking rubber |           |
| Controls                    | proportional              |           |
| Drive system                | 2 wheel drive             |           |

| POWER        |                         |  |
|--------------|-------------------------|--|
| Power source | 24V DC battery electric |  |
| Charger      | 90-240V, 25amp          |  |

| WEIGHT |         |         |
|--------|---------|---------|
| Weight | 2,216kg | 2,740kg |

## TURNING RADIUS



## STANDARD FEATURES

- Roll-out deck extension with dual locks
- Non-marking tyres
- Loading control pendant
- Swing-out service trays
- Saloon-door style entry gates
- Descent alarm
- All motion alarm
- Key switch
- 2 persons + equipment capacity indoor
- 1 person + equipment capacity outdoor
- Proportional controls, including descent
- Power line to platform
- Hour meter & onboard diagnostics display
- Integrated battery charger
- Battery condition indicator
- Crane & forklift points
- Dual lanyard attachments points
- Flashing amber light
- Scissor stack roller slide plates (set of 2)
- 2 year parts & labour, 5 year structural warranty
- CE approved

## OPTIONS

- Special paint colours
- Airline to platform
- Aircraft bumpguard package
- Panel carrier
- Environmental hydraulic oil

**snorkel** [www.snorkellifts.com](http://www.snorkellifts.com)

Vigo Centre, Birtley Road,  
Washington, Tyne & Wear,  
NE38 9DA, U.K.

t: +44 (0) 845 1550 057  
e: sales@snorkellifts.com